

Adjustable hand levers

Zinc die casting / with increased clamping force

SPECIFICATION

Handle

Zinc die casting

plastic coated

black, RAL 9005, textured finish **SW**

black, RAL 9011, silk finish **SZ**

orange, RAL 2004, textured finish **OS**

red, RAL 3000, textured finish **RS**

silver, RAL 9006, textured finish **SR**

chrome-plated **CR**

Version with bushing

Steel, tensile strength class 5.8

nitrided, blackened

Retaining screw

Steel, blackend

Version with threaded stud

Steel, tensile strength class 5.8

nitrided, blackened

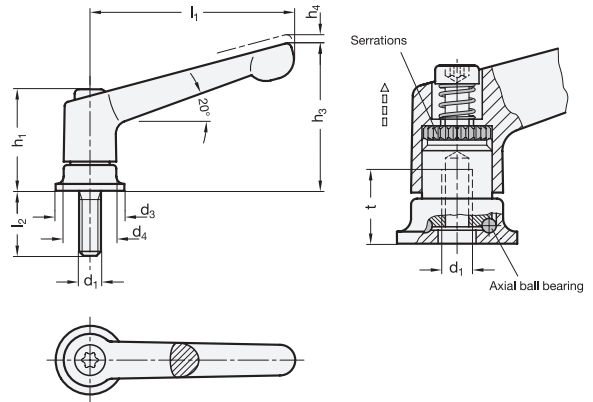
Retaining screw

Steel, blackened

INFORMATION

Adjustable hand levers GN 300.4 are produced with a clamping area which is linked via a thrust ball bearing to the bush and screw respectively of the clamping lever. This has led to the following advantages:

- **Doubled** clamping force through vastly reduced friction.
- There is no movement on the contact area between adjustable hand lever and component which greatly reduces any marking on the clamping area
- In addition a reduced creep factor has been achieved by the increased preload.



* Complete with colour index of the clamping lever body (SW, SZ, OS, RS, SR or CR)

SW	SZ	OS	RS	SR	CR
RAL9005	RAL9011	RAL2004	RAL3000	RAL9006	chrome-plated

GN 300.4-with bushing

Description	l1	d1	d3	d4	h1	h3	h4	t min.	⚖️
GN 300.4-63-M6-*	63	M 6	24	17.5	34.5	48.5	4	12.5	95
GN 300.4-78-M8-*	78	M 8	25	21	39.5	58.5	4	14	140
GN 300.4-92-M10-*	92	M 10	30	24	46.5	68.5	4	18	216
GN 300.4-108-M12-*	108	M 12	35	30	56.5	82	5	26.5	356

GN 300.4-with threaded stud

Description	l1	d1	l2	d3	d4	h1	h3	h4	⚖️
GN 300.4-63-M6-20-*	63	M 6	20	24	17.5	34.5	48.5	4	100
GN 300.4-63-M6-27-*	63	M 6	27	24	17.5	34.5	48.5	4	103
GN 300.4-78-M8-21-*	78	M 8	21	25	21	39.5	58.5	4	160
GN 300.4-78-M8-36-*	78	M 8	36	25	21	39.5	58.5	4	170
GN 300.4-92-M10-29-*	92	M 10	29	30	24	46.5	68.5	4	220
GN 300.4-92-M10-47-*	92	M 10	47	30	24	46.5	68.5	4	223
GN 300.4-108-M12-34-*	108	M 12	34	30	56.5	82	5	218	
GN 300.4-108-M12-50-*	108	M 12	50	35	56.5	82	5	382	
GN 300.4-108-M12-57-*	108	M 12	57	35	56.5	82	5	389	
GN 300.4-108-M12-65-*	108	M 12	65	35	56.5	82	5	397	
GN 300.4-108-M12-85-*	108	M 12	85	35	56.5	82	5	417	



Clamping levers